

ALERTLABS

SUMPIE

Quick-start Guide



ISED REGULATORY STATEMENT

CAN ICES-3 (B)/NMB-3(B)

This device contains licence-exempt transmitter(s)/receiver(s) that comply with Innovation, Science and Economic Development Canada's licence-exempt RSS(s). Operation is subject to the following two conditions:

- (1) This device may not cause interference.
- (2) This device must accept any interference, including interference that may cause undesired operation of the device.

RF EXPOSURE COMPLIANCE

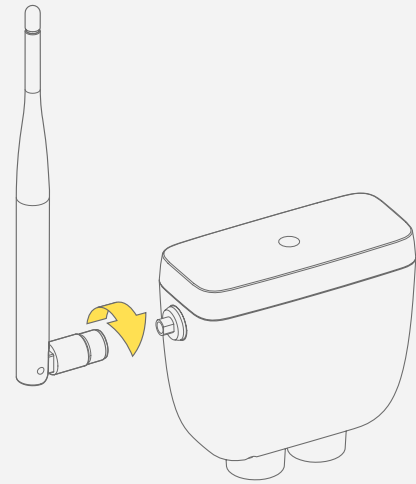
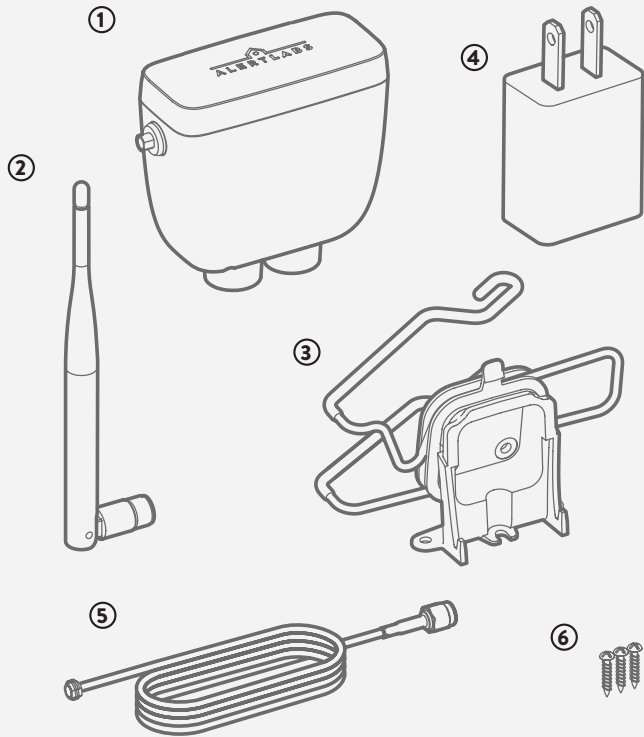
The antenna(s) used for this transmitter must be installed to provide a separation distance of at least (8 in) 20 cm from all persons and must not be co-located or operating in conjunction with any other product antenna or transmitter.

FCC REGULATORY STATEMENTS

Changes or modifications not expressly approved by the party responsible for compliance could void the user's authority to operate this equipment.

Note: This equipment has been tested and found to comply with the limits for a Class B digital device, pursuant to part 15 of the FCC Rules. These limits are designed to provide reasonable protection against harmful interference in a residential installation. This equipment generates, uses and can radiate radio frequency energy and, if not installed and used in accordance with the instructions, may cause harmful interference to radio communications. However, there is no guarantee that interference will not occur in a particular installation. If this equipment does cause harmful interference to radio or television reception, which can be determined by turning the equipment off and on, the user is encouraged to try to correct the interference by one or more of the following measures:

- Reorient or relocate the receiving antenna.
- Increase the separation between the equipment and receiver.
- Connect the equipment into an outlet on a circuit different from that to which the receiver is connected.
- Consult the dealer or an experienced radio/TV technician for help.

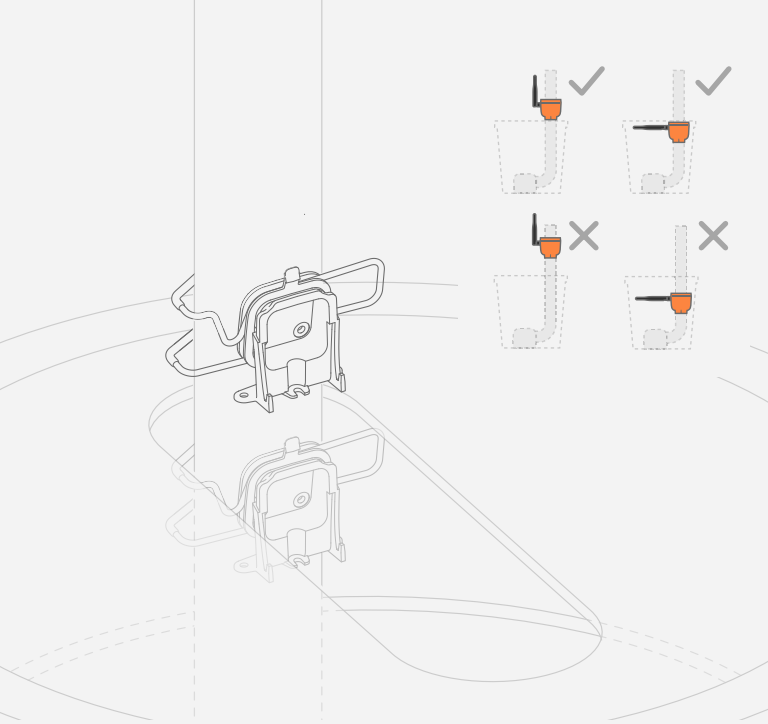


What's Included

- | | |
|--------------------|-----------------------------|
| ① Sumpie sensor | ④ 10W USB power adapter |
| ② Antenna | ⑤ Antenna extension cable |
| ③ Mounting holster | ⑥ Phillips head screws (×3) |

1

Screw the antenna onto Sumpie's side.

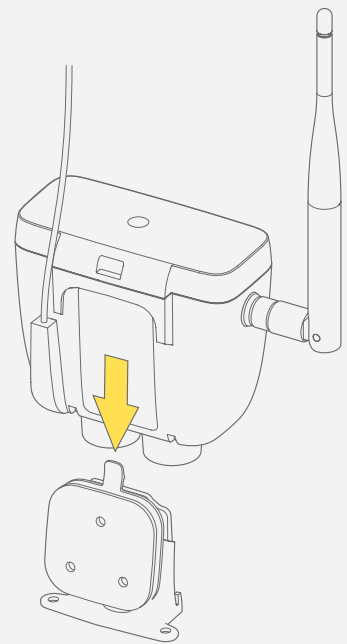
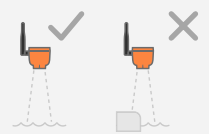


2

The bottom of Sumpie needs to be able to see the water level in your sump pit. Snap the mounting holster onto to the pipe leading out of your sump pit. If the lid has a hole that Sumpie can see through, attach the mounting holster directly above the hole. If there isn't a hole, attach Sumpie directly below the lid inside the pit.

NOTE: If you can't mount Sumpie to your sump pump's pipe so that Sumpie can see your water level, please see "MOUNTING ALTERNATIVE 1 and 2" on pages 9 & 10.

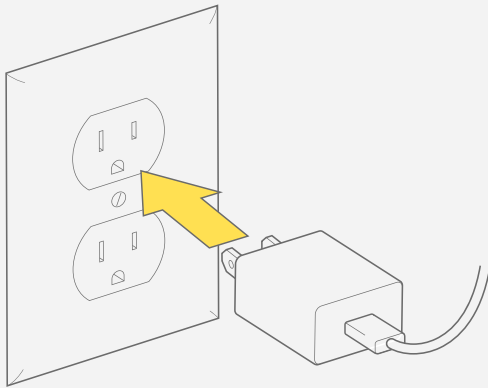
3



3

Slide Sumpie downwards onto the mounting holster until it clicks into place. Ensure that the sensors on the bottom of Sumpie are aimed directly at the water in your sump pit, without any obstructions, and that Sumpie is pressed against the lid of your sump pit.

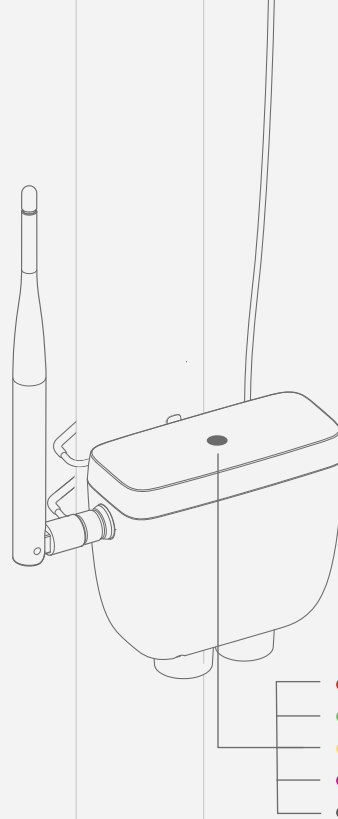
4



4

Connect Sumpie's cord to the USB power adapter, and plug it in.

5



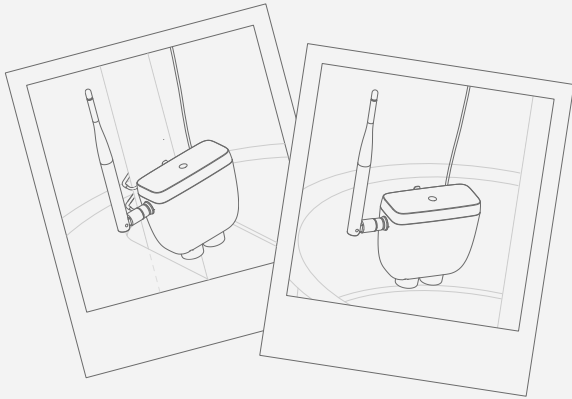
- **RED** No signal
- **GREEN** Good signal
- **YELLOW** On battery
- **MAGENTA** Updating
- **OFF** No power

5

Sumpie is connected when the light turns green. This may take up to 5 minutes.

NOTE: If Sumpie's light is still red after 5 minutes, you may need to use the included antenna extension cable. See "USING THE EXTENSION CABLE" on page 11.

6



6

Take a photo of the installed Sumpie unit. You'll need to upload the photo when you register the sensor.



7

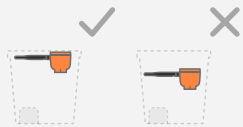
Sign-in at **alertlabs.com** or on the Alert Labs App. To register Sumpie, select **➕ Add Sensor** and use the serial number above.

7

Need help?

For additional help, visit **alertlabs.com/support** or contact us at **help@alertlabs.com**

8

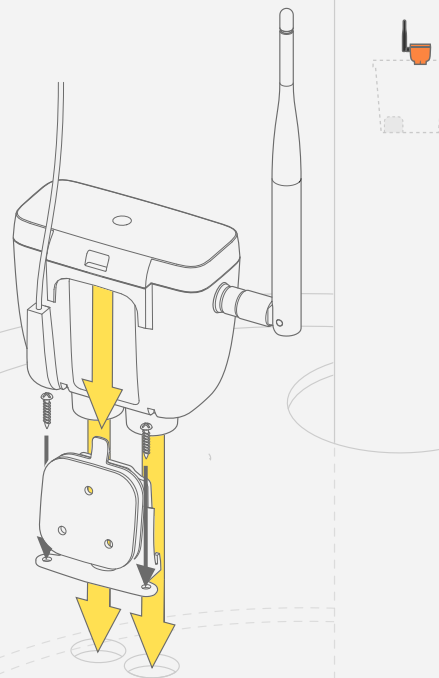


If you can't attach the mounting holster using the method described in Step 2, use one of these two alternative methods.

MOUNTING ALTERNATIVE 1

Detach the metal clip from the mounting holster. Use the included screws to attach the mounting holster to the inner wall of the sump pit, directly below the lid.

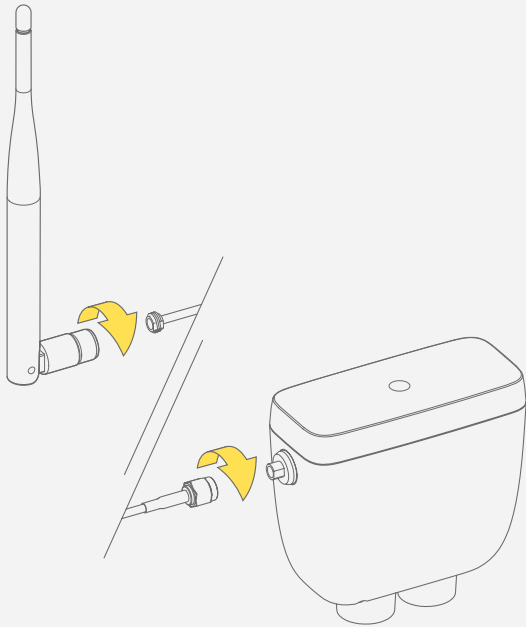
CONTINUE TO STEP 3



MOUNTING ALTERNATIVE 2

Using the drilling template in the back of this booklet, drill two 1" holes into the sump pit lid. Detach the metal clip from the mounting holster. Slide Sumpie downwards onto the holster until it clicks into place. Fit Sumpie's sensors into the two holes making sure they can clearly see the water in your sump pit, without any obstructions. Use the included screws to mount the base of the holster to the sump pit lid.

SKIP STEP 3, CONTINUE TO STEP 4



USING THE EXTENSION CABLE

Unscrew the antenna attached in Step 1. Screw the connector from one end of the extension cable onto Sumpie, and the other end onto the antenna. You will need to place and secure the antenna in an elevated location, away from metal structures (wires, pipes, beams, etc).

CONTINUE TO STEP 6

DRILLING TEMPLATE

